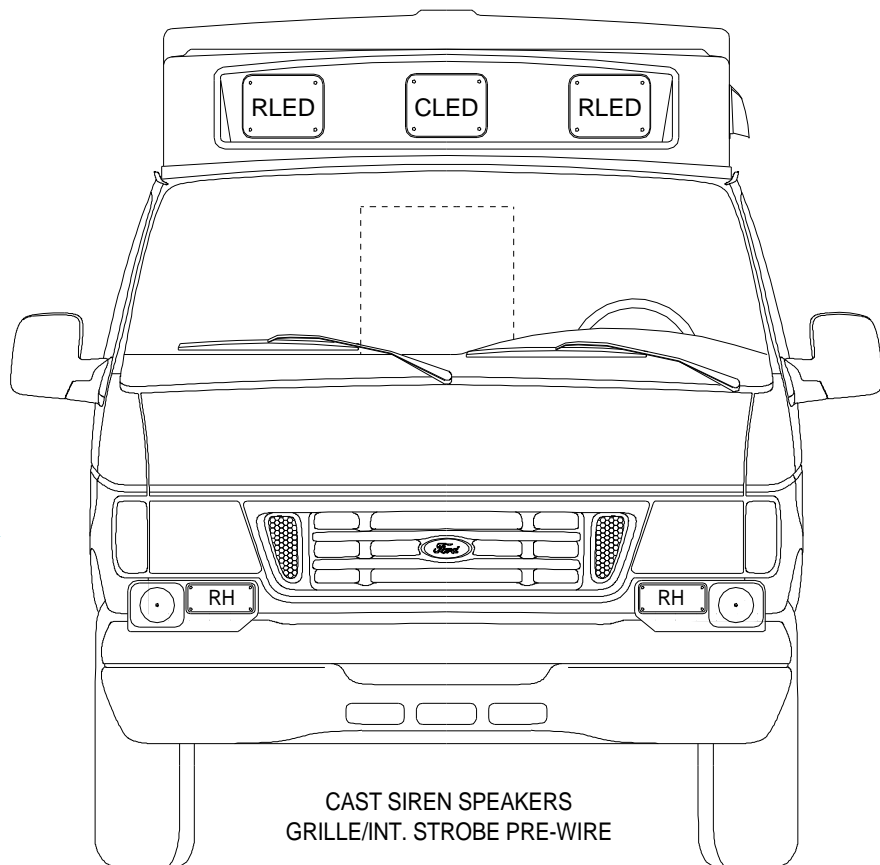
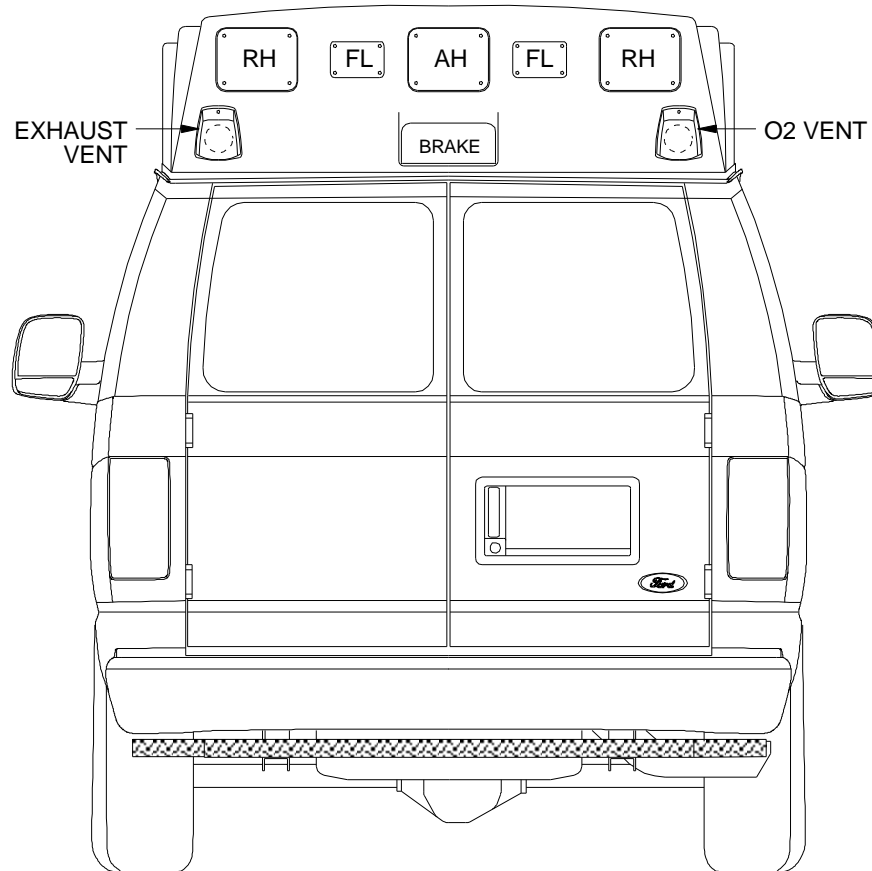


LIGHTBAR PRE-WIRE ONLY  
WELDON WARNING LIGHTS



CAST SIREN SPEAKERS  
GRILLE/INT. STROBE PRE-WIRE

WELDON SCENE AND WARNING LIGHTS

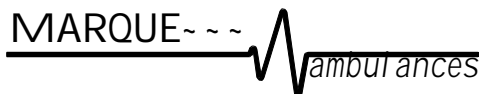


STD. FIXED GRIP STRUT BUMPER - 7" DEEP

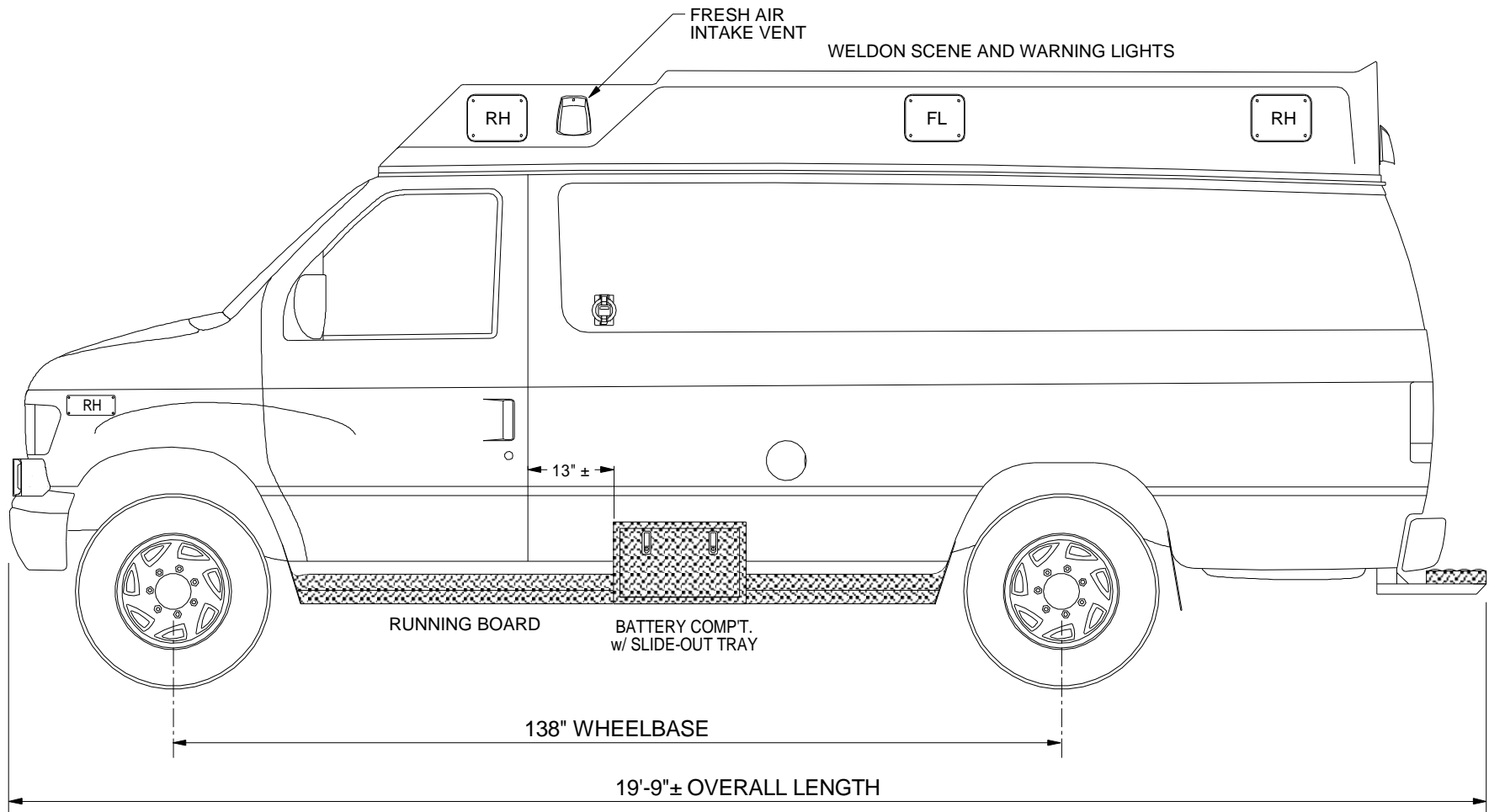
**DRAWN BY:** MIA  
**DATE:** 02-03-06

Drawing is representative only - Dimensions shown are approximate and may vary from the completed vehicle DO NOT scale this drawing!

**REVISIONS**

<b>DRAWING TITLE:</b>	FRONT/REAR EXTERIOR		
<b>TYPE/MODEL/CHASSIS:</b>	TYPE II - FORD E350 SUPERVAN		
<b>DEALER / CUSTOMER:</b>	FACTORY / OPEN		
<b>UNIT NUMBER:</b>	4144	<b>PRINT NUMBER:</b>	4144-01



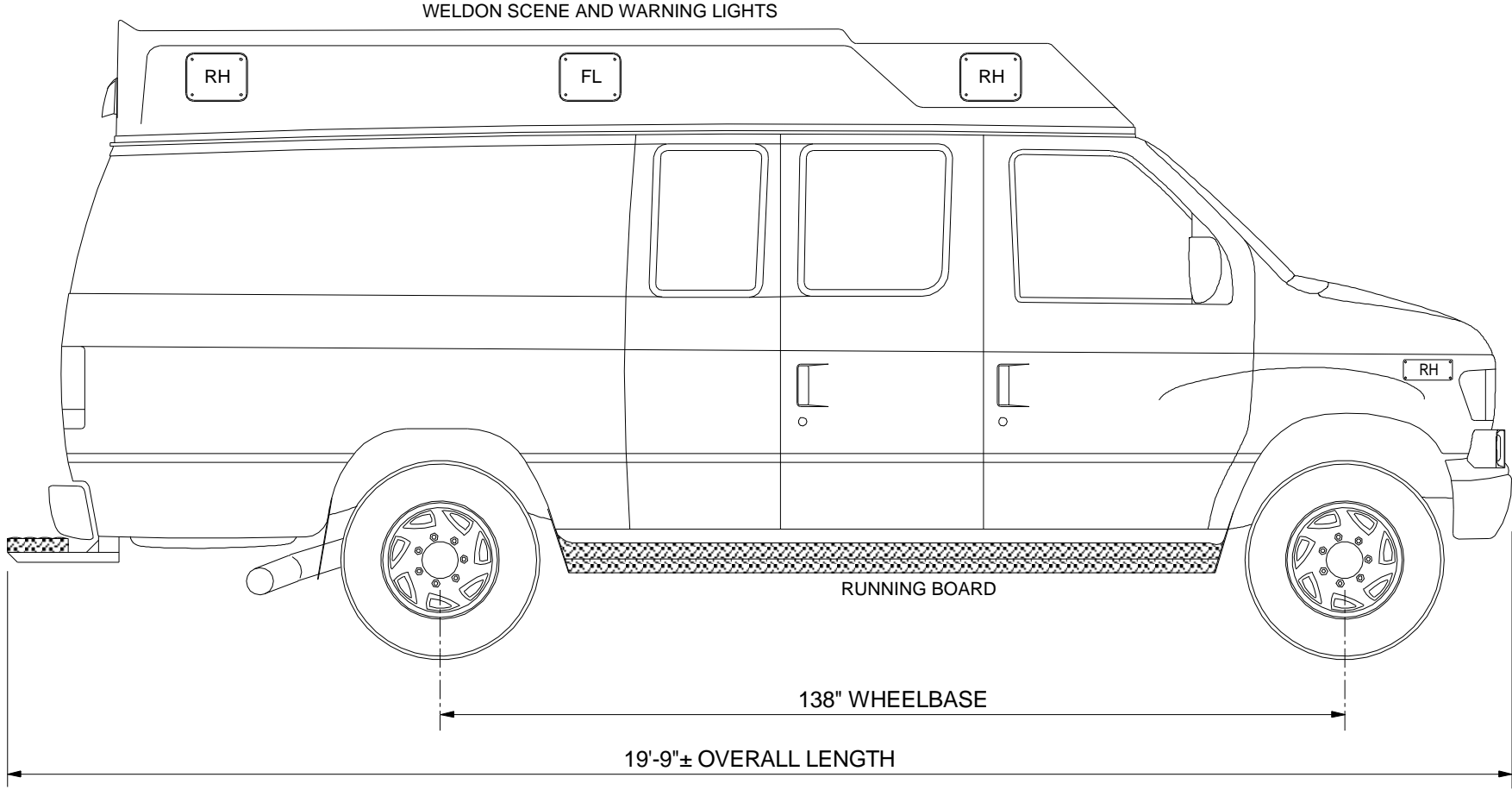
**DRAWN BY:** MIA  
**DATE:** 02-03-06

Drawing is representative only - Dimensions shown are approximate and may vary from the completed vehicle DO NOT scale this drawing!

REVISIONS



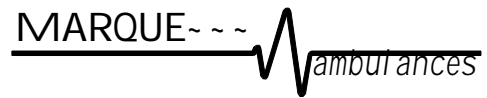
<b>DRAWING TITLE:</b>	STREETSIDE EXTERIOR		
<b>TYPE/MODEL/CHASSIS:</b>	TYPE II - FORD E350 SUPERVAN		
<b>DEALER / CUSTOMER:</b>	FACTORY / OPEN		
<b>UNIT NUMBER:</b>	4144	<b>PRINT NUMBER:</b>	4144-03



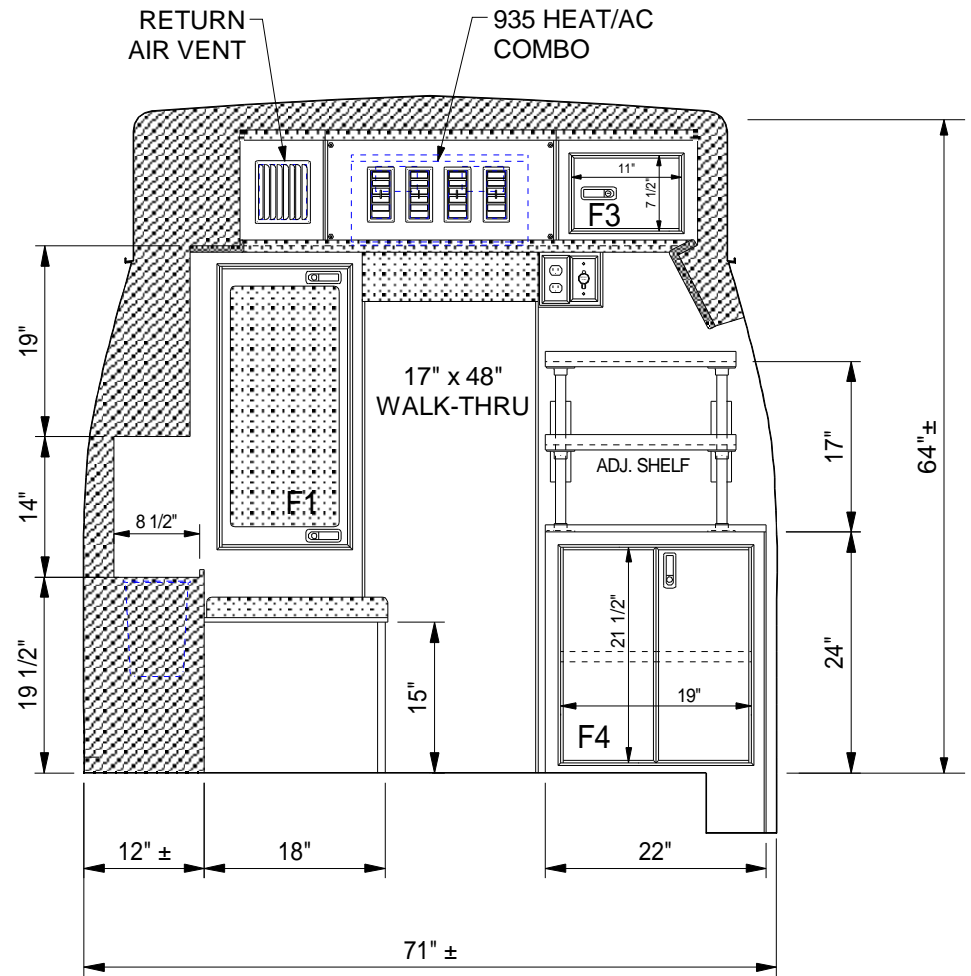
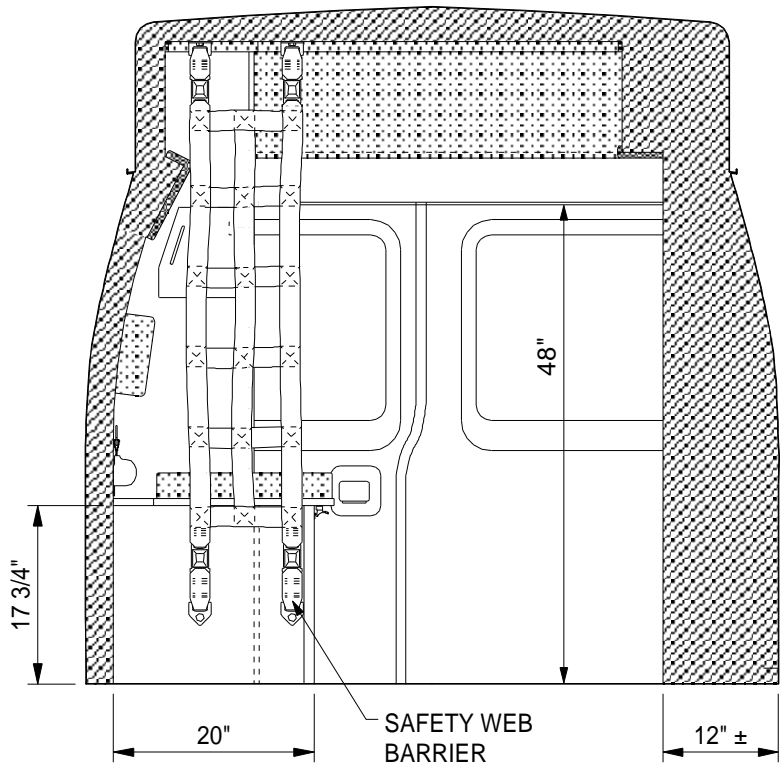
S/S WHEEL SIMS

**DRAWN BY:** *MIA*  
**DATE:** 02-03-06  
Drawing is representative only - Dimensions shown are approximate and may vary from the completed vehicle DO NOT scale this drawing!

REVISIONS



<b>DRAWING TITLE:</b>	CURBSIDE EXTERIOR		
<b>TYPE/MODEL/CHASSIS:</b>	TYPE II - FORD E350 SUPERVAN		
<b>DEALER / CUSTOMER:</b>	FACTORY / OPEN		
<b>UNIT NUMBER:</b>	4144	<b>PRINT NUMBER:</b>	4144-02



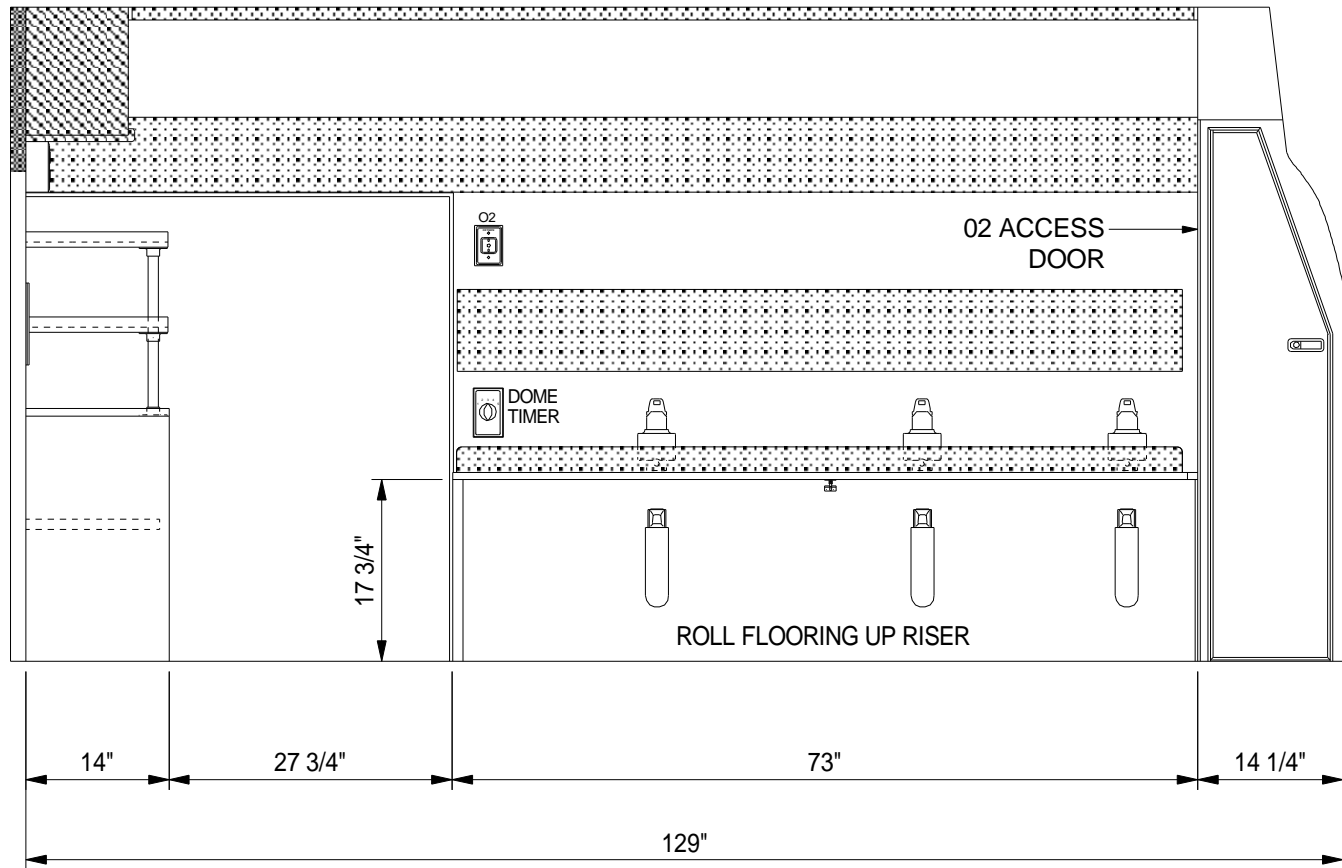
DRAWN BY: *MIA*  
 DATE: 02-03-06

REVISIONS

Drawing is representative only - Dimensions shown are approximate and may vary from the completed vehicle DO NOT scale this drawing!

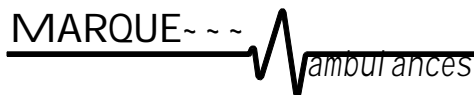
**MARQUE** ~ ~ ~ ambulances

DRAWING TITLE: FRONT/REAR INTERIOR VIEW  
 TYPE/MODEL/CHASSIS: TYPE II - SQUAD 2 - FORD E350 SUPERVAN  
 DEALER: FACTORY / OPEN  
 UNIT NUMBER: 4144      PRINT NUMBER: 4144-004



**DRAWN BY:** MIA  
**DATE:** 02-03-06

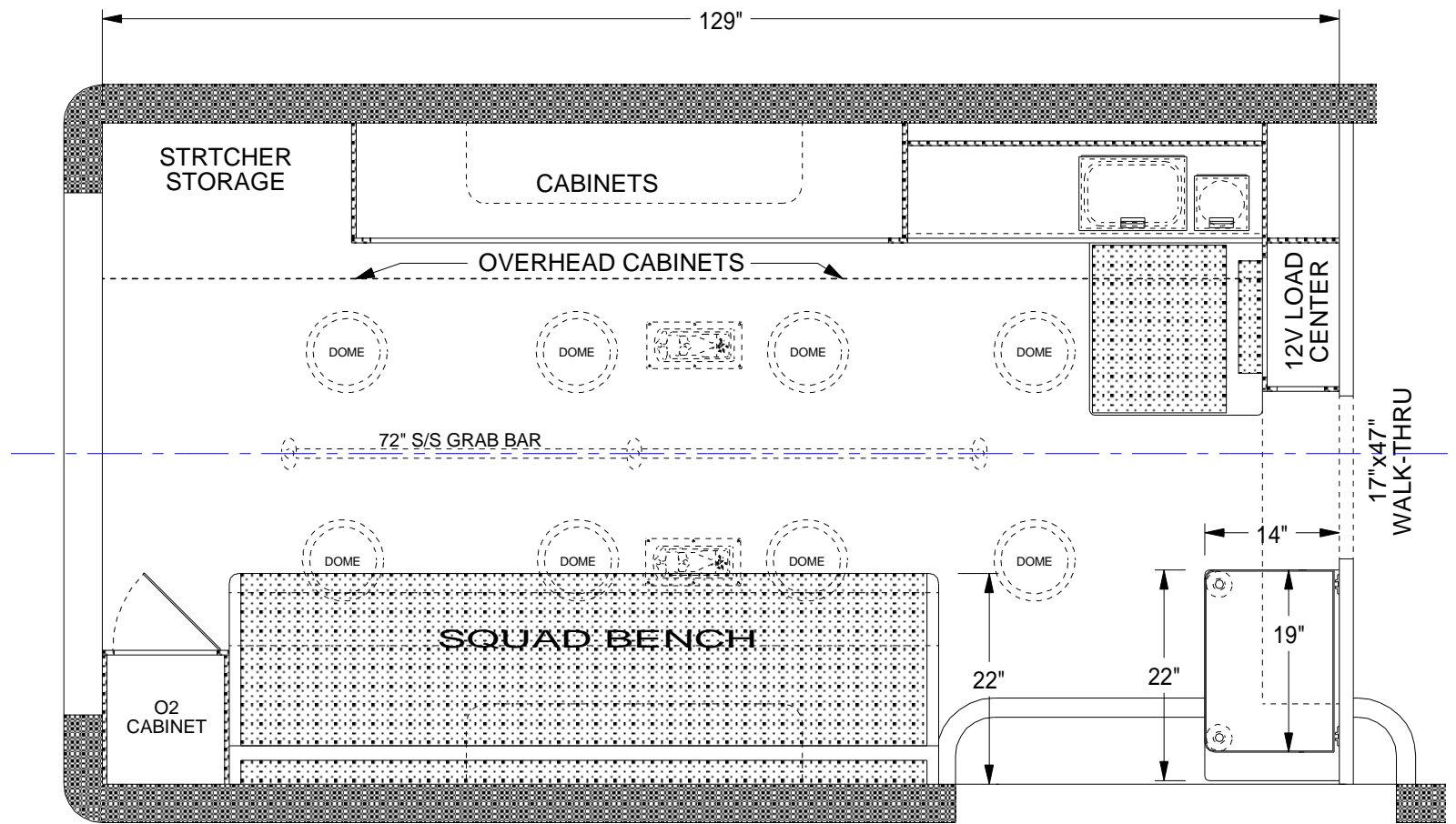
**REVISIONS**



**DRAWING TITLE:** CURBSIDE INTERIOR VIEW  
**TYPE/MODEL/CHASSIS:** TYPE II - SQUAD 2 - FORD E350 SUPERVAN  
**DEALER:** FACTORY / OPEN  
**UNIT NUMBER:** 4144 **PRINT NUMBER:** 4144-005

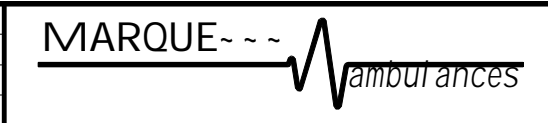
Drawing is representative only - Dimensions shown are approximate and may vary from the completed vehicle DO NOT scale this drawing!





**DRAWN BY:** MIA  
**DATE:** 02-03-06

**REVISIONS**



**DRAWING TITLE:** FLOOR/CEILING PLAN  
**TYPE/MODEL/CHASSIS:** TYPE II - SQUAD 2 - FORD E350 SUPERVAN  
**DEALER:** FACTORY / OPEN  
**UNIT NUMBER:** 4144      **PRINT NUMBER:** 4144-007

Drawing is representative only - Dimensions shown are approximate and may vary from the completed vehicle DO NOT scale this drawing!