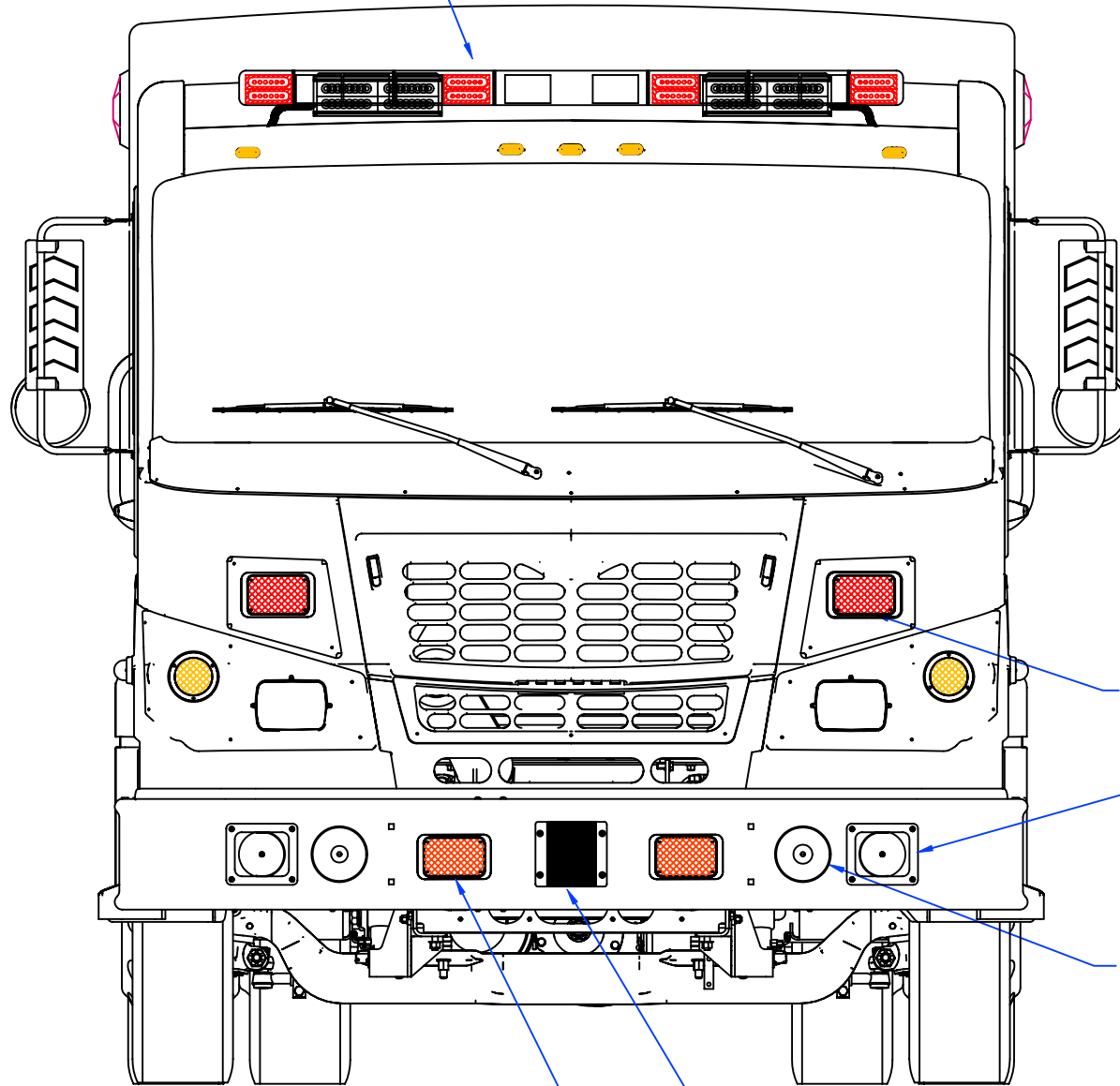


WHELEN FN72QLED EDGE ULTRA FREEDOM LIGHT BAR  
W/TWO(2) PIONEER LED FLOODLIGHTS

OVERALL HEIGHT = 117"  
OVERALL WIDTH = 98"



WHELEN 600 RED SUPER LED

SIREN SPEAKERS

AIR HORNS

NESTING EAGLE SIREN

WHELEN 600 RED SUPER LED



2009 FRONT EXTERIOR VIEW  
PATRIOT- SPARTAN FURION CHASSIS

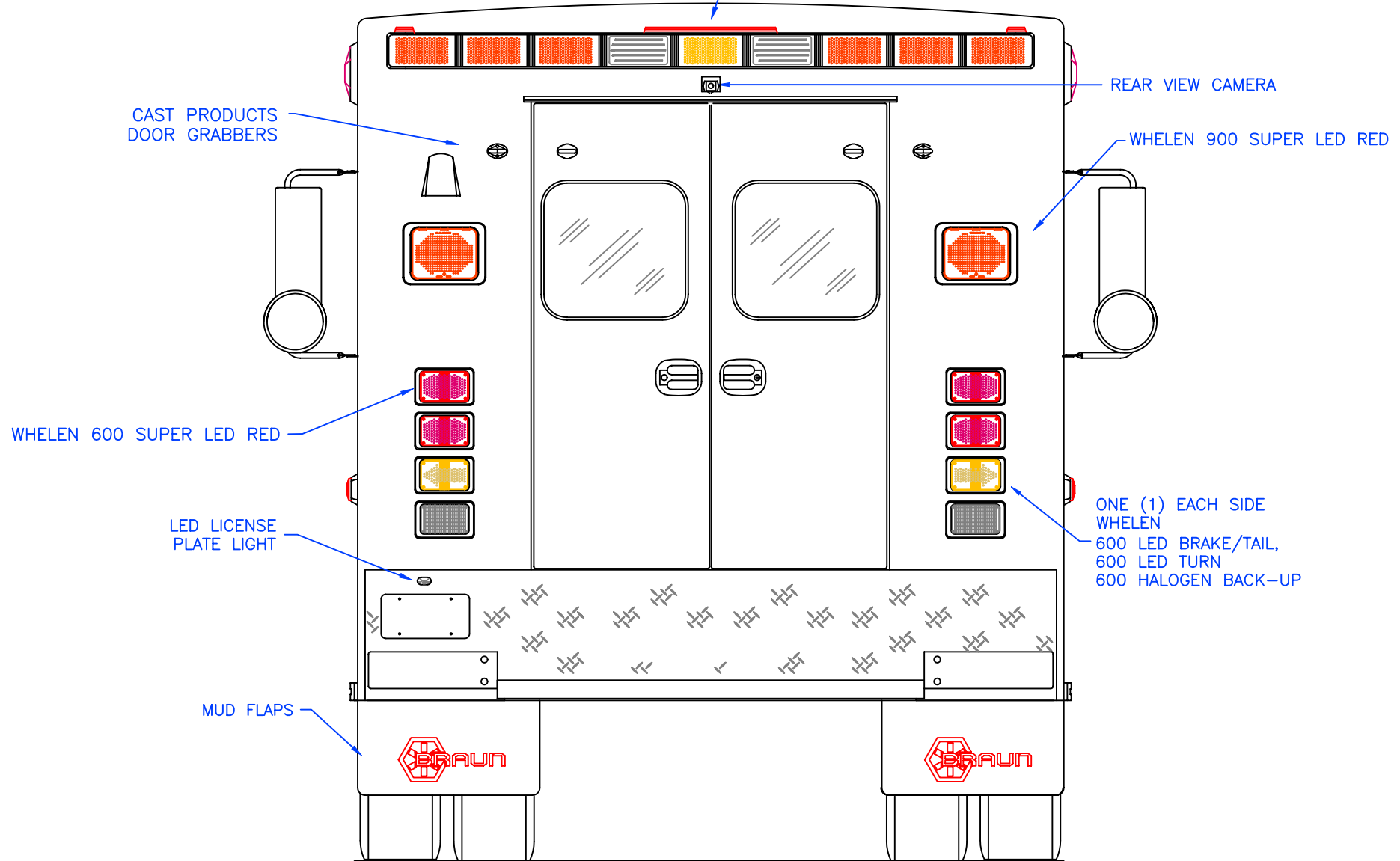
1:18

DATE:  
6 NOV 08  
DWG. TKD  
REV. NR

DRAWING NO.  
PATRIOT-1

OVERALL HEIGHT = 117"  
OVERALL WIDTH = 98"

WHELEN 4500 SERIES REAR LIGHT BAR W/BRAKE  
700 SERIES LED LIGHTS WITH 700 SERIES HALOGEN LOAD LIGHTS  
RED/RED/RED/LOAD/AMBER/LOAD/RED/RED/RED



CAST PRODUCTS  
DOOR GRABBERS

REAR VIEW CAMERA

WHELEN 900 SUPER LED RED

WHELEN 600 SUPER LED RED

LED LICENSE  
PLATE LIGHT

ONE (1) EACH SIDE  
WHELEN  
600 LED BRAKE/TAIL,  
600 LED TURN  
600 HALOGEN BACK-UP

MUD FLAPS



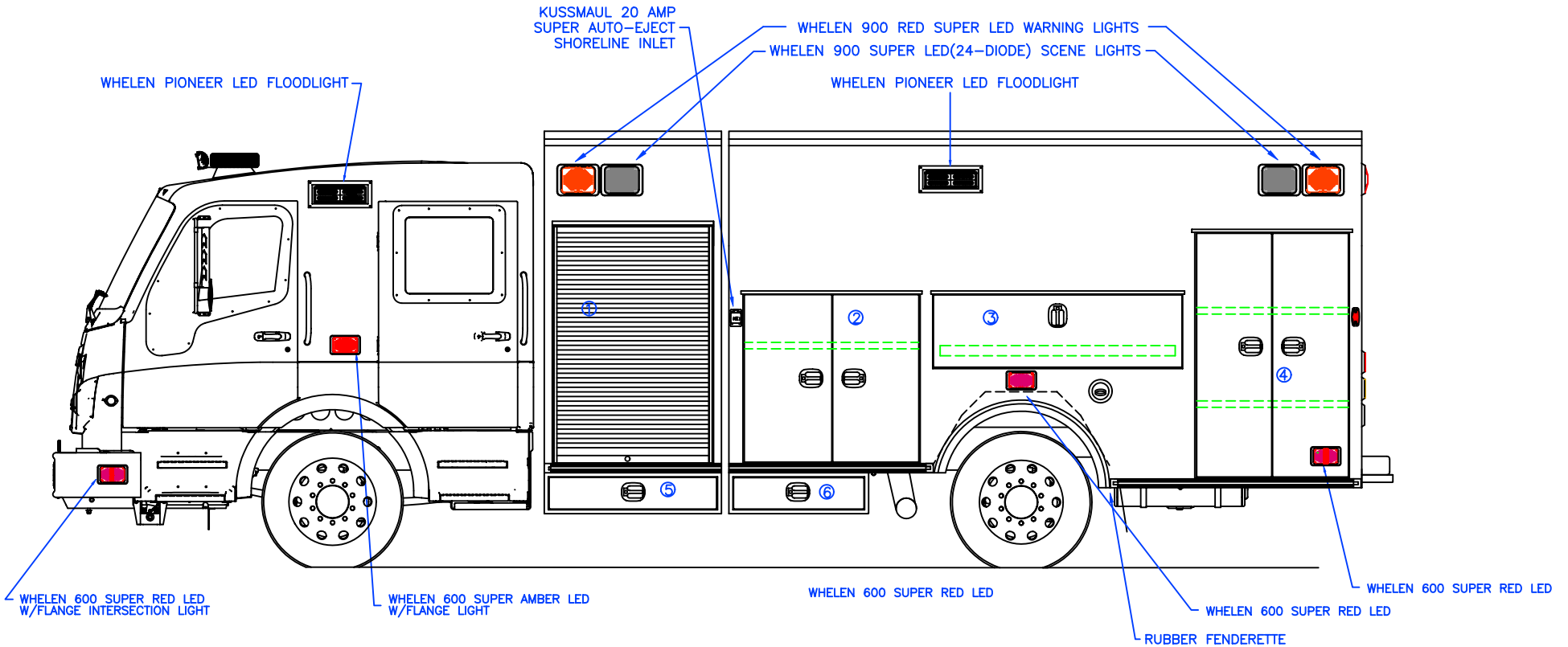
2009 REAR EXTERIOR VIEW  
PATRIOT- SPARTAN FURION CHASSIS

1:18

DATE:	7 NOV 08
DWG.	TKD
REV.	NR

DRAWING NO.  
PATRIOT-2

OVERALL HEIGHT = 117"  
 OVERALL LENGTH = 360" APPROX.  
 MODULE LENGTH = 170"



COMPARTMENT

- O.S.S #1 ROLL-UP LOCKING DOOR  
 CLEAR OPENING: 54.00h x 40.75w  
 INSIDE DIM'S.: 72.00h x 42.75w x FULL DEPTH  
 TRANSVERSE COMPARTMENT THRU #9 CURBSIDE  
 CAFS UNIT(COMPRESSED AIR FOAM SUPPRESSION UNIT)
- O.S.S #2  
 CLEAR OPENING: 36.50h x 42.13w  
 INSIDE DIM'S.: 44.25h x 47.63w x 22.25d  
 (1) ADJUSTABLE SHELF
- O.S.S #3  
 CLEAR OPENING: 17.25h x 63.00w  
 INSIDE DIM'S.: 22.50h x 66.113w x 22.25d  
 (1) SLIDE-OUT TRAY

- O.S.S #4  
 CLEAR OPENING: 63.50h x 35.75w  
 INSIDE DIM'S.: 65.25h x 41.50w x 22.25d  
 INSIDE/OUTSIDE ACCESS  
 (2) ADJUSTABLE SHELVES
- O.S.S #5  
 SLIDE-OUT DRAWER(DIAMOND PLATE)  
 INSIDE DIM'S.: 6.00h x 40.50w x 16.00d
- O.S.S #6  
 SLIDE-OUT DRAWER(DIAMOND PLATE)  
 INSIDE DIM'S.: 6.00h x 30.25w x 16.00d

DIMENSIONS ARE NOMINAL

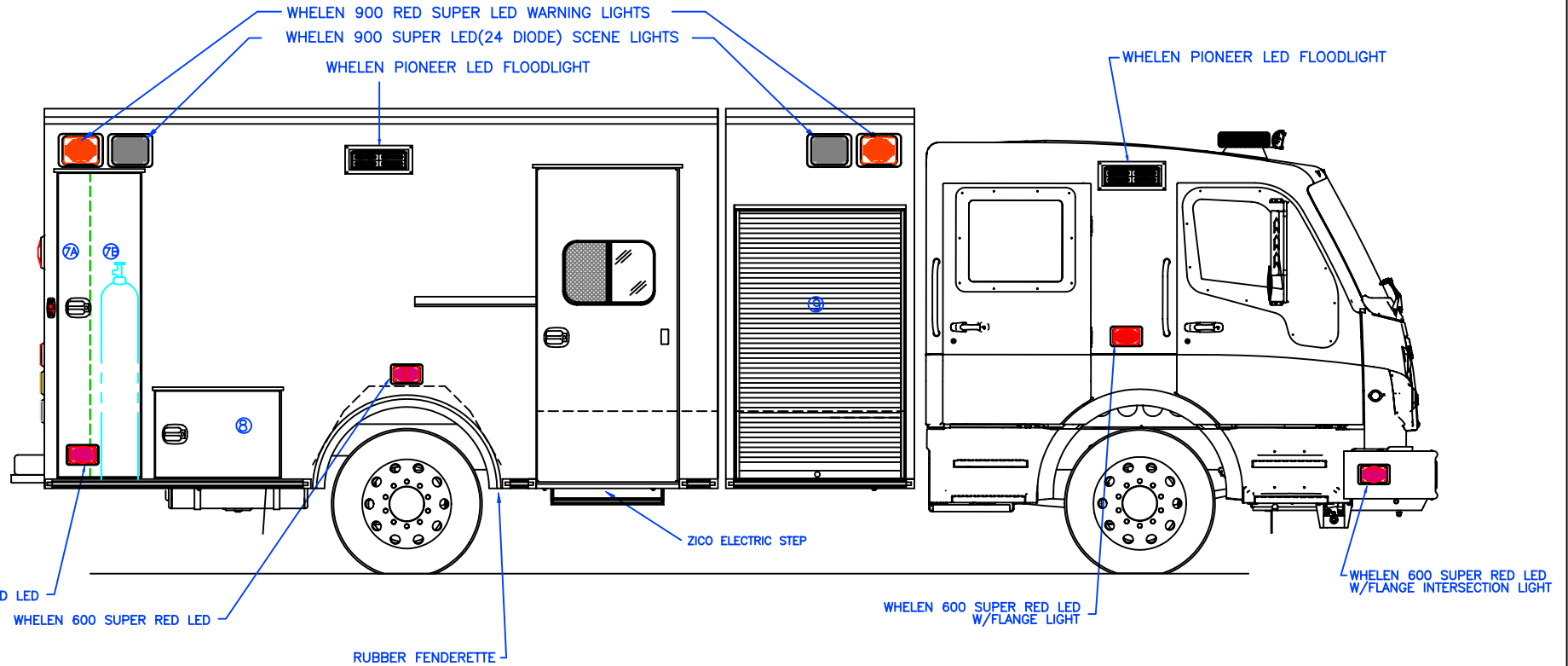


2009 STREETSIDE EXTERIOR VIEW  
 PATRIOT-SPARTAN FURION CHASSIS 185"WB

DATE: 7 NOV 08		DRAWING NO.
DWG. TKD	REV NR	PATRIOT-3

1:30

OVERALL HEIGHT = 117"  
 OVERALL LENGTH = 360" APPROX.  
 MODULE LENGTH = 170"



COMPARTMENT

O.S.S #7  
 CLEAR OPENING: 74.50h x 19.00w  
 INSIDE DIM'S: 7A: 76.50h x 12.00w x 21.50d  
 BACKBOARD/SCOOP STORAGE

INSIDE DIM'S: 7B: 76.50h x 13.50w x 13.00d  
 OXYGEN CYLINDER STORAGE

O.S.S #8  
 CLEAR OPENING: 20.00h x 29.25w  
 INSIDE DIM'S: 22.00h x 32.00w x 21.50d

O.S.S #9 ROLL-UP LOCKING DOOR  
 CLEAR OPENING: 59.00h x 40.75w  
 INSIDE DIM'S.: 72.00h x 42.75w x FULL DEPTH

TRANSVERSE COMPARTMENT THRU #1 STREETSIDE  
 CAFS(COMPRESSED AIR FOAM SUPPRESSION UNIT)

DIMENSIONS ARE NOMINAL

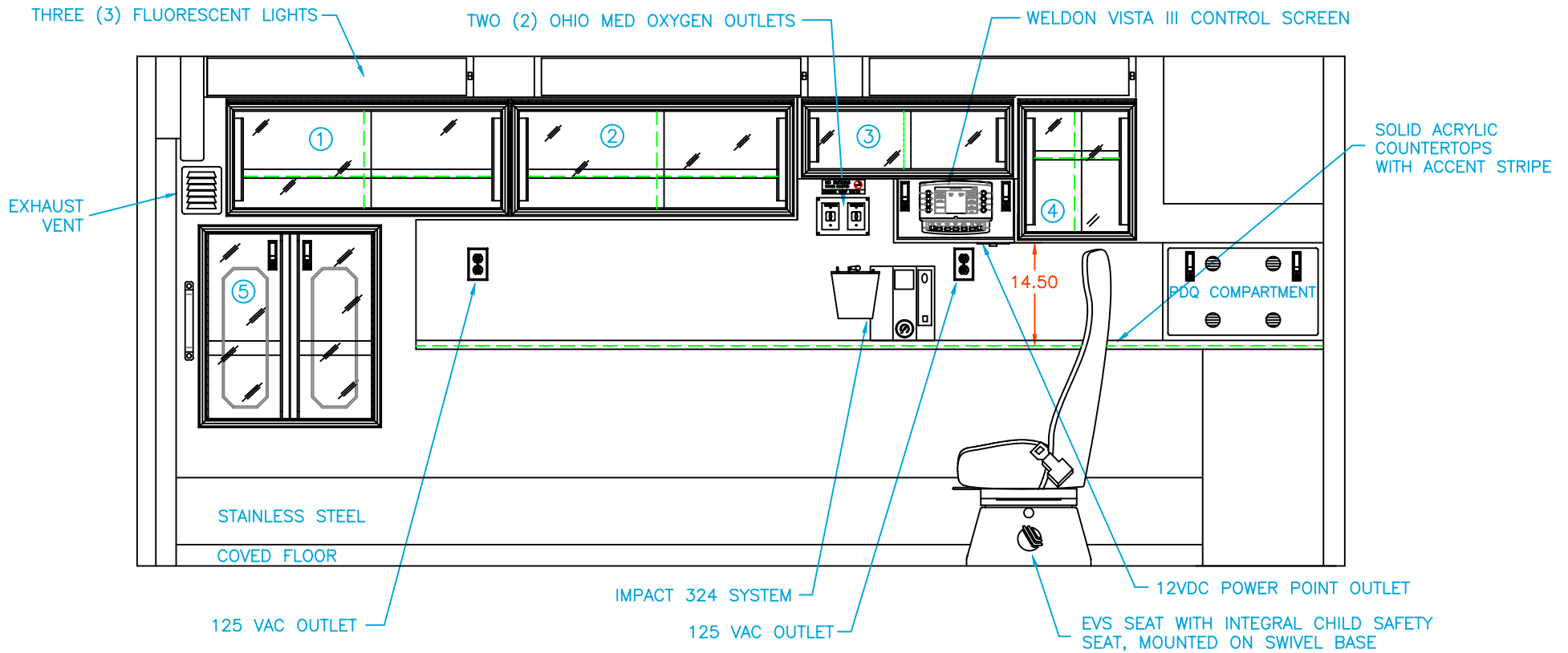


2009 CURBSIDE EXTERIOR VIEW  
 PATRIOT-SPARTAN FURION CHASSIS 185"WB

DATE: 11 NOV 08	DRAWING NO. PATRIOT-4
DWG. TKD	REV. NR

1:30

COMPARTMENTS: #1, #2, #3, AND #4 HAVE RESTOCKING FRAMES



COMPARTMENT

- #1, #2 DOOR OPENING: 13.50h x 37.50w  
INSIDE DIMS: 16.00h x 39.50w x 19.50d  
ONE (1) ADJUSTABLE SHELF
- #3 DOOR OPENING: 7.75h x 27.50w  
INSIDE DIMS: 10.25h x 29.50w x 19.50d
- #4 DOOR OPENING: 17.00h x 14.25w  
INSIDE DIMS: 19.00h x 16.25w x 19.50d  
ONE (1) ADJUSTABLE SHELF

- #5 DOOR OPENING: 26.25h x 23.50w  
INSIDE DIMS: O.S.S. #3  
RECESSED .375" ACRYLIC DOORS WITH FULL LENGTH HANDLES  
TWO (2) LOCKING LEVER LATCHES
- #6 DOOR OPENING: 15.00h x 26.50w  
INSIDE DIMS: 16.75h x 28.25w x 18.50d  
ONE (1) ADJUSTABLE SHELF

- #8 DOOR OPENING: 24.50h x 15.75w  
INSIDE DIMS: 25.00h x 18.75w x 14.50d  
ALUMINUM DOOR, LOCKING LEVER LATCH

DIMENSIONS ARE NOMINAL

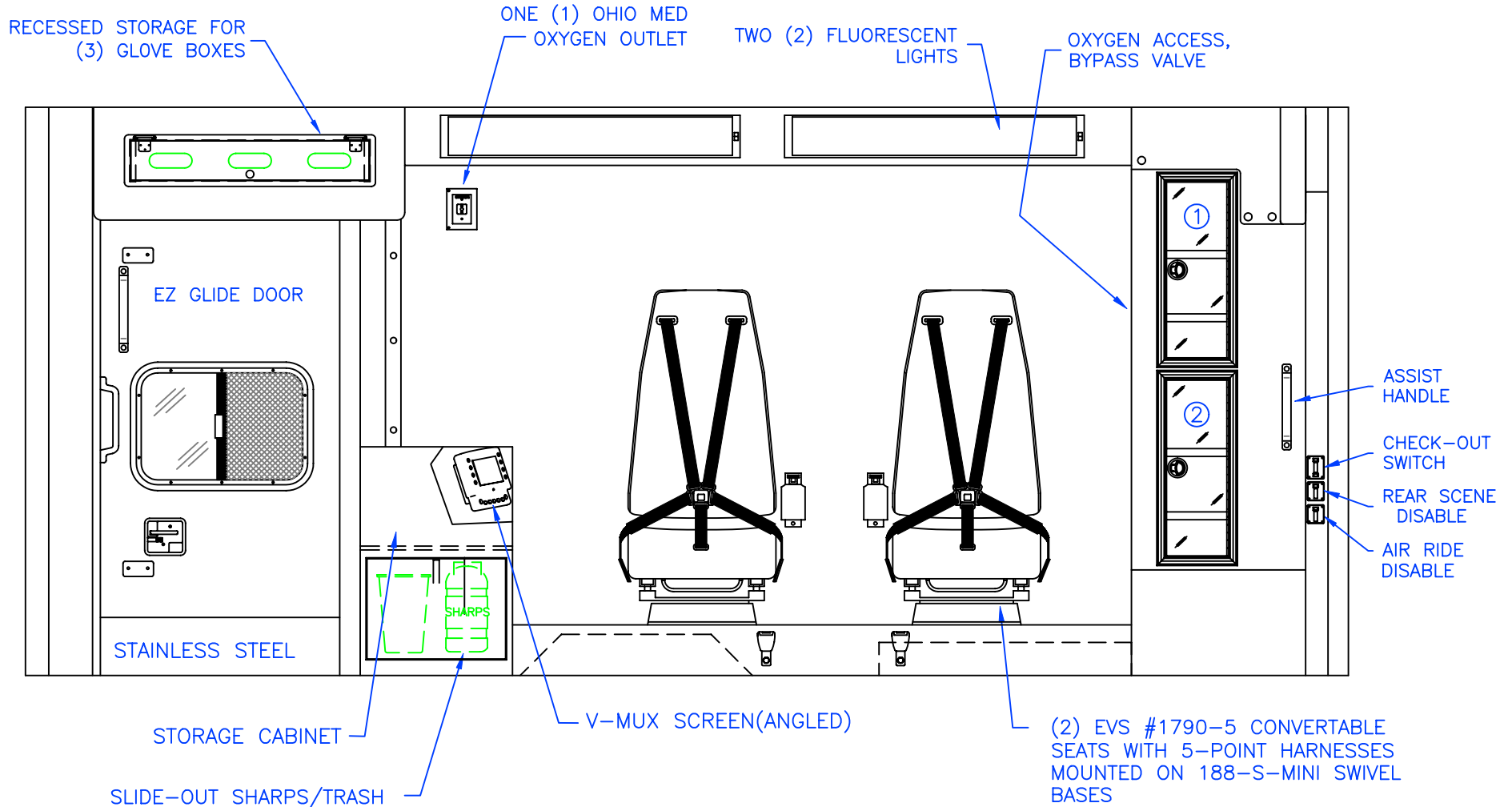


2009 STREETSIDE INTERIOR VIEW  
PATRIOT-SPARTAN FURION CHASSIS

1:22

DATE:	12 NOV 08
DWG.	TKD
REV.	NR

DRAWING NO.	PATRIOT-5
-------------	-----------



COMPARTMENT

- #1-#2 DOOR OPENINGS: 22.75h x 8.00w
- INSIDE DIMS: 26.00h x 13.25w x 7.50d
- RECESSED .375" ACRYLIC DOORS
- ONE (1) FLUSH PULL LATCH PER DOOR
- TWO (2) ADJUSTABLE SHELVES PER CABINET

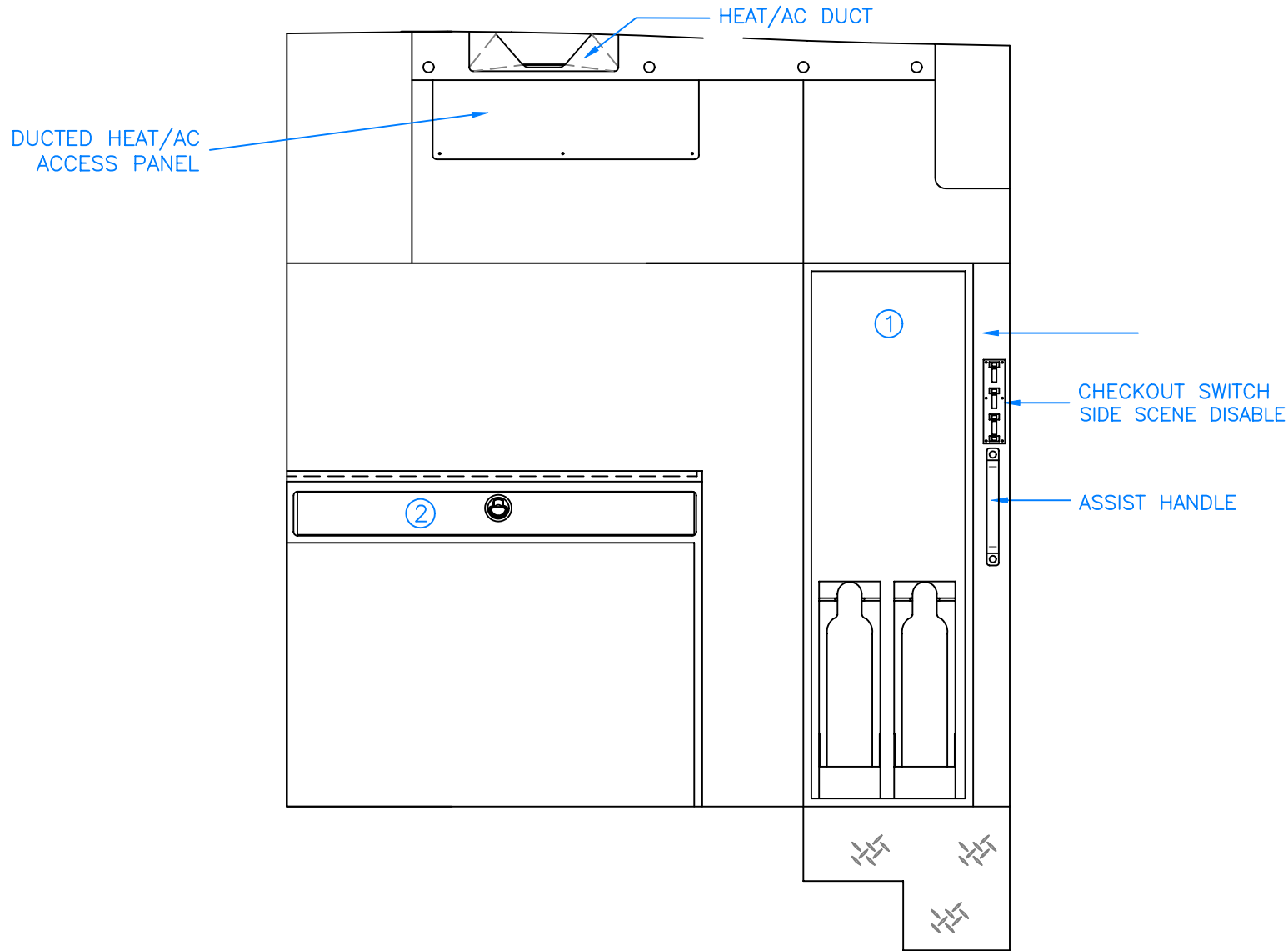
DIMENSIONS ARE NOMINAL



2009 CURBSIDE INTERIOR VIEW  
PATRIOT-SPARTAN FURION CHASSIS

DATE:	13 NOV 08	DRAWING NO.
DWG.	TKD	PATRIOT-6
REV.	NR	

1:20



COMPARTMENT

#1 OPEN STORAGE: 49.50h x 14.25w  
 INSIDE DIMS: 49.50h x 14.25w x 6.00d  
 TWO(2) #521 FW OXYGEN CYLINDER STORAGE

#2 SLIDE -OUT DRAWER  
 INSIDE DIMS: 3.00h x 35.00w x 14.00d  
 FLUSH PULL LATCH

DIMENSIONS ARE NOMINAL



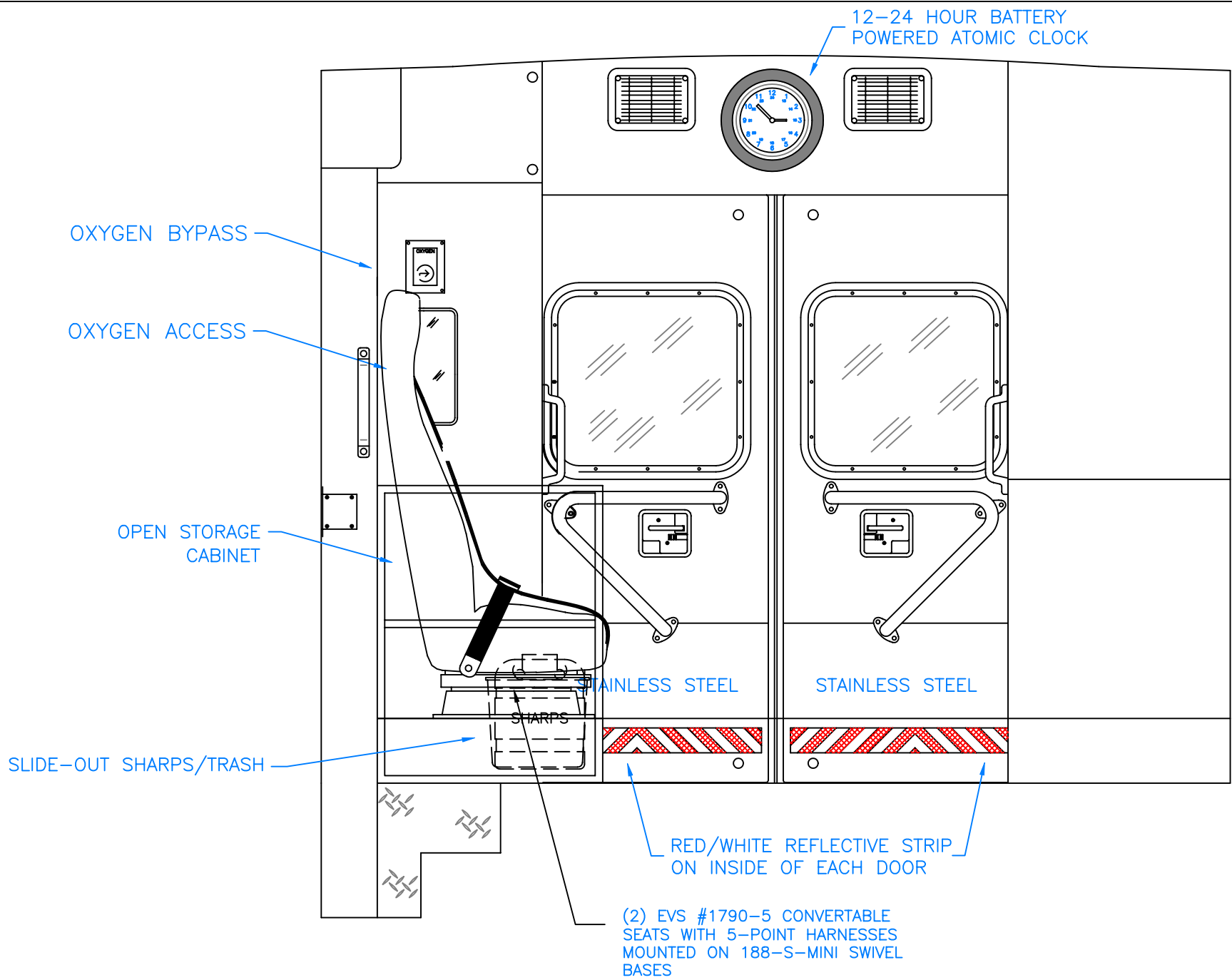
2009 PARTITION INTERIOR VIEW  
 PATRIOT- SPARTAN FURION CHASSIS

1:14

DATE:	13 NOV 08
DWG.	TKD
REV.	NR

DRAWING NO.

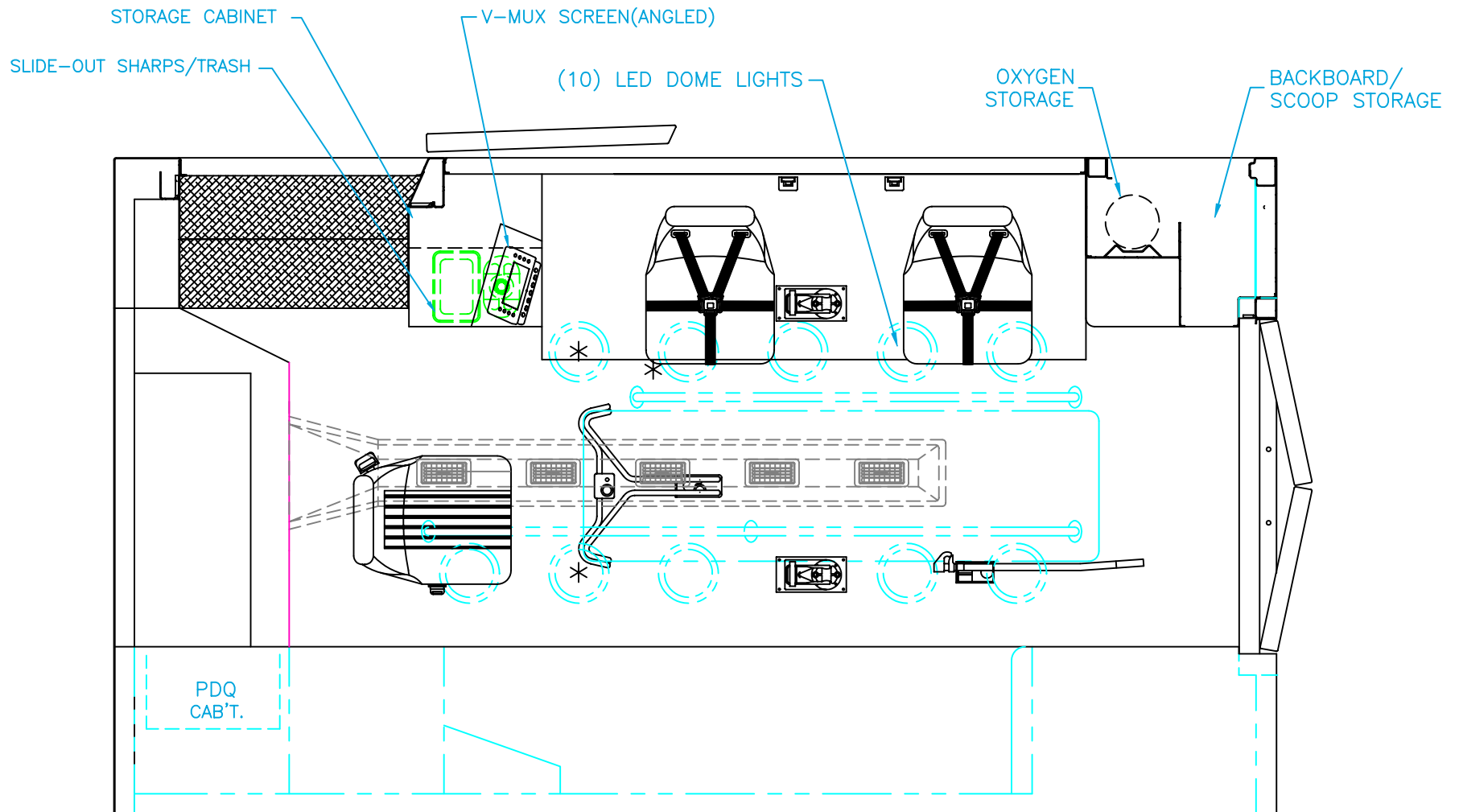
PATRIOT-7



2009 REAR INTERIOR VIEW  
PATRIOT-SPARTAN FURION CHASSIS

DATE: 14 NOV 08	DRAWING NO.	
	PATRIOT-8	
DWG. TKD	REV. NR	

1:14



\* TWO (2) ANTENNA BASES LOCATED OUTBOARD OF DOME LIGHTS WITH COAX SERVICE LOOP

 TWO (2) RECESSED CEILING IV HANGER LOCATIONS

STRYKER CENTER MOUNT COT HARDWARE

MODULE WIDTH = 96"

MODULE LENGTH = 170"

MODULE HEAD ROOM = 73.5"  
(70" BELOW DUCTED HEAT/AC)

DIMENSIONS ARE NOMINAL